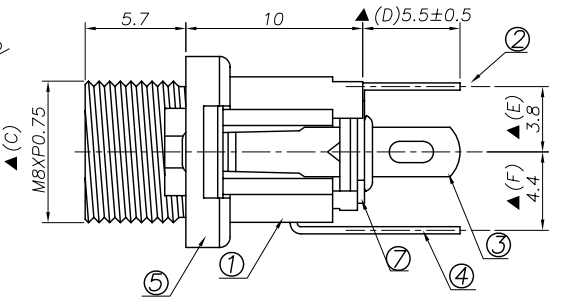
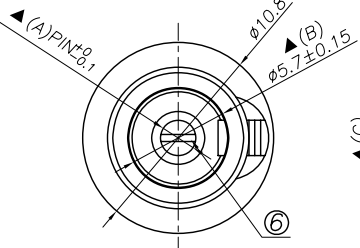


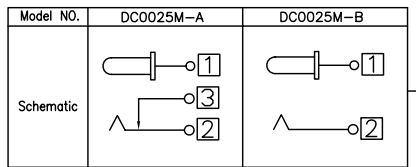
REV. LTR.	DESCRIPTION	SIGN	DATE



Ordering information:

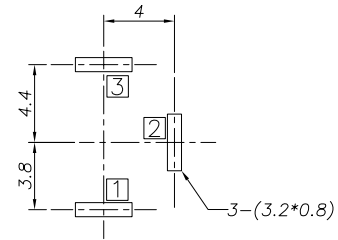
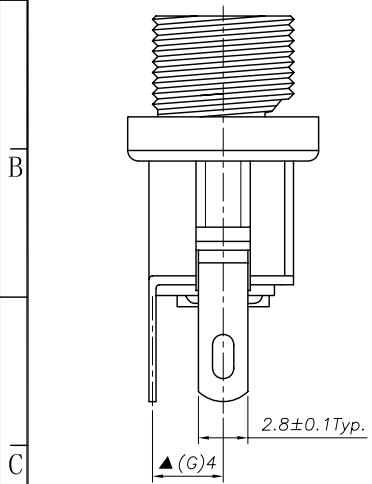
DC0025M-□ □ PB 0A C 0 4
 (1) (2) (3) (4) (5) (6) (7) (8)

- (1): Series No
- (2): Schematic option: A B
- (3): Center pin diameter: H=2.0 I=2.35 J=2.5
- (4): Material of housing: PB=PBT
- (5): Housing color:
 - 0A=Black
- (6): Terminal plating
 - S=Silver (Ag)
 - T=Tin (Sn)
 - C=copper&tin alloy plating (Standard)
- (7): Special option
 - 0=No special option
- (8): Packing mode:
 - 4=Bag packing

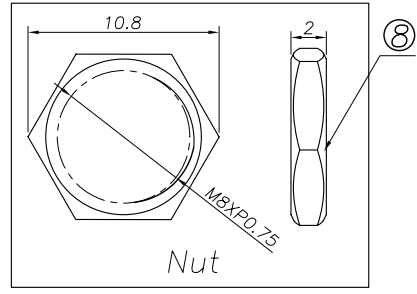


□: TERMINAL NO.

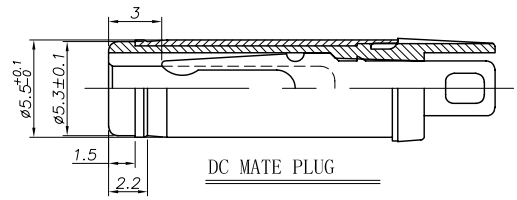
zero



RECOMMENDED P. C. B. LAYOUT
 UNSPECIFIED TOLERANCE: ±0.05
 (TOP VIEW)

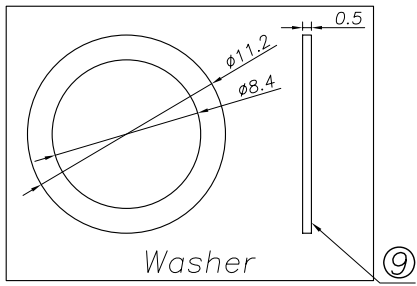


Model No.	DC0025M-__H	DC0025M-__I	DC0025M-__J
PIN	φ2.0	φ2.35	φ2.5



Specification:

1. Rating : DC 30V 3A.
2. Contact resistance: ≤30mΩ.
After test: ≤50mΩ
3. Insulation resistance: ≥100MΩ (500VDC).
After test: ≥50MΩ
4. Withstanding voltage: 500VAC.
5. Insertion and extraction force: 3N~30N.
6. life test: 5000cycles min.
7. Operation temperature range: -20℃~70℃.
8. Preservative temperature range: -40℃~85℃.
9. Sign "▲" is importance dimension.



⑨	Washer-2	1	Spcc	Nickel plating	
⑧	Nut	1	Brass	Nickel plating	
⑦	Washer-1	2	Bakelite		
⑥	Pin	1	Bronze	Nickel plating	
⑤	Bushing	1	Brass	Nickel plating	
④	Shunt Terminal	③	1	Brass	Copper&tin plating
③	Tip Spring	②	1	Phosphor bronze	Copper&tin plating
②	Center pin terminal	①	1	Brass	Copper&tin plating
①	Housing	1	PBT	Black	
NO.	DESCRIPTION	QTY	MATERIAL	REMARK	
UNIT: MM		TYPE:		MODEL NO:	
TYPE: DC POWER JACK		MODEL NO: DC0025M-__PBOAS04		PAPER NO: A4	
				PAGE 1 OF 1	
				TOLERANCE	
				ANGLES	
				SCALE	
				VER	
				±0.3	
				±2'	
				N/A	
				2	

DESIGNER BY: Allen Xiao 2011.08.30
 CHECK BY:
 APPROVED BY:

