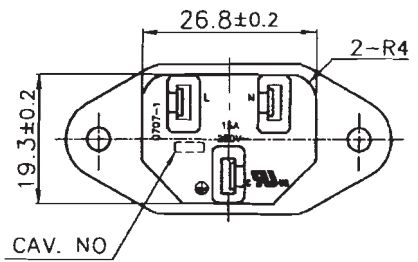
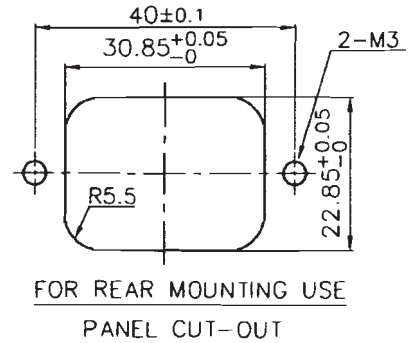
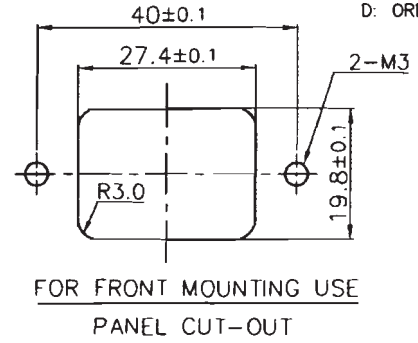
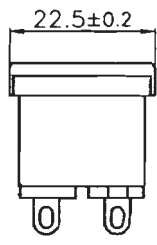
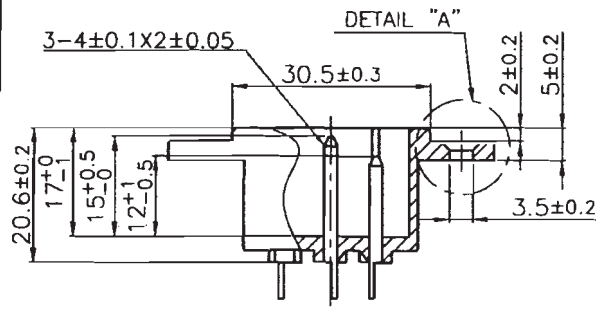
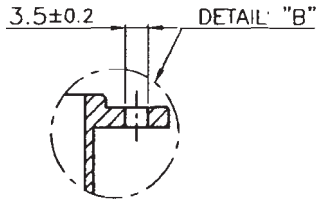
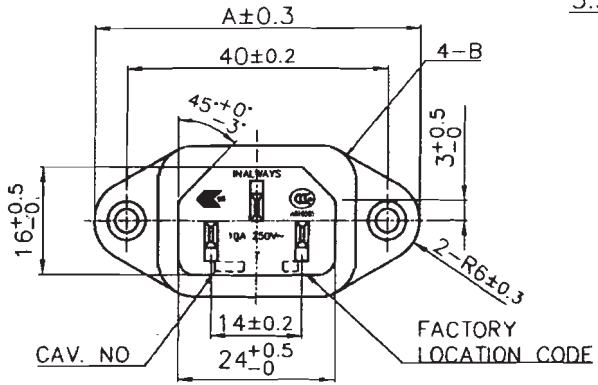


### SPECIFICATION

- A: MATERIAL  
 1. HOUSING: PBT WITH GLASS FIBER UL 94V-0  
 2. TERMINAL: COPPER ALLOY, TIN PLATED
- B: CHARACTERISTICS:  
 1. RATING: 15A 250V~ UL, CSA  
 10A 250V~ ENEC & CCC  
 2. INSULATION RESISTANCE : 100MΩ MIN, AT 500V DC  
 3. ELECTRIC STRENGTH : AC 2,000V FOR ONE MINUTE
- C: APPROVALS:  
 UL , CUL , ENEC & CCC
- D: ORDERING INFORMATION :



ORDER#	DIM. A	DIM. B	DETAIL VIEW	TERMINAL TYPE
0707-1-FW1	50.0	5.5	B	
0707-1-CW1	50.0	5.5	A	
0707-1-CQ	50.0	5.5	A	
0707-1-CQ1	49.0	4.0	A	
0707-1-FQ	50.0	5.5	B	
0707-1-CN	50.0	5.5	A	
0707-1-FN	50.0	5.5	B	
0707-1-CS	50.0	5.5	A	
0707-1-FS	50.0	5.5	B	

REV	DATE	DOCUMENT	DESCRIPTION
Y	2012.08.06	DGRXXXXX	CHANGE SAFETY MARK
X	2011.11.25	DGR11026	CHANGE SAFETY MARK
W	2010.02.10	DGR10001	UPDATE DRAWING & ADD DIMENSION
V	2009.04.09	DGR09011	CHANGE ORDERING INFORMATION TERMINAL TYPE
U	2008.05.03	DGR08018	CHANGE TO INVALID PART NO.
T	2005.04.18	DGR05032	CHANGE TERMINAL TYPE & DELETE 0707-1-CW

**力球實業股份有限公司**  
**INALWAYS CORPORATION**

TOLERANCE UNLESS OTHERWISE MARKED  
 DIMENSION: ANGULAR ±3'  
 .000 ±0.1  
 .00 ±0.2  
 0 ±0.3

APPROVED	CHECKED	DESIGNER	NOTE

2012-08-06 2012-08-06 2012-08-06

UNIT: mm SCALE: 1:1 SHEET: 1 of 4

家 世 成 大 可

研發部資料分發章  
 2012.08.06  
 華瑋電子(東莞)有限公司

暫行使用章